

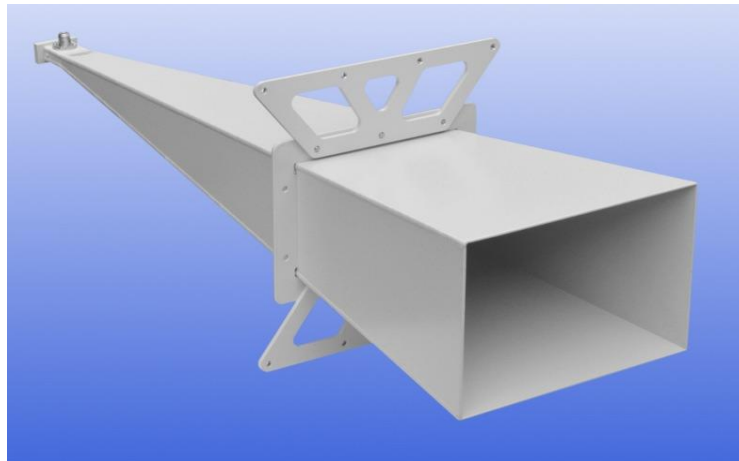
6 - 8 GHz Linearly Polarised 22 dBi Horn Antenna fitted with an SC Connector

Catalogue number **QSH-SL-6-8-C-22**

Steatite reference **QMS-00725**

Contents **Summary**

Typical Gain / Antenna Factor - at 1 metre
Typical Beamwidth - at 1 metre

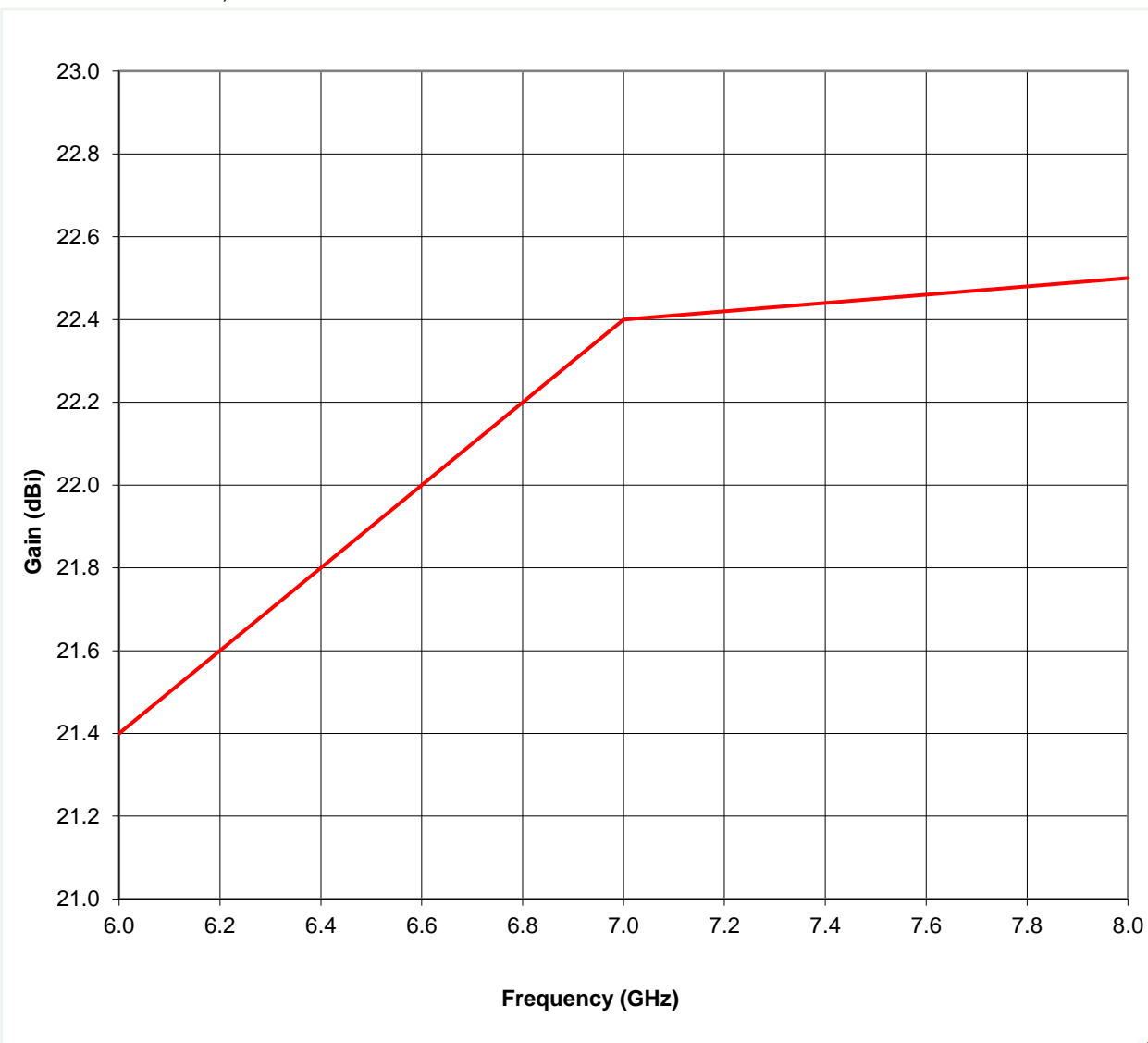


Typical Specification

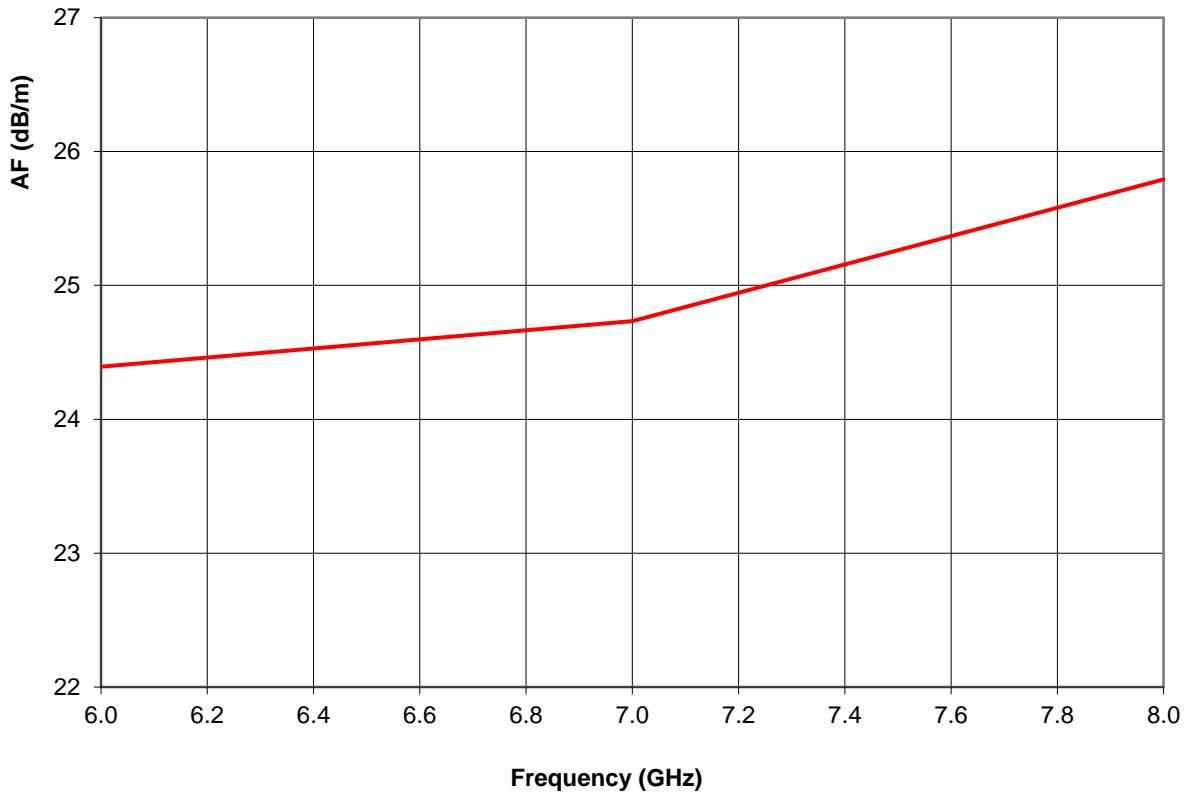
Frequency	6 to 8.2 GHz
Connector Type	SC jack
Power Handling	10 kW peak; 250 W c.w.
VSWR	Typically < 1.3:1. 1.5:1 Max.
Gain	21.4 to 22.5 dBi
Antenna Factor	24.4 to 25.8 dB/m
3dB Beamwidth	10 to 14 degrees
Weight	4.5 kg nominal
Maximum Size	336 x 305 x 1057 mm
Mounting	Via mounting flange at centre of gravity. Refer to ICD.
Construction	Welded aluminium, powdercoat finish.

Typical Antenna Gain - at 1 metre

This is calculated by reference to standard gain horn antennas, and cross checked with reference to the antenna beamwidth, with an estimated error of +/- 0.8dB.



Typical Antenna Factor - at 1 metre



Typical Beamwidth - at 1 metre

Estimated error of +/- 2 degrees

