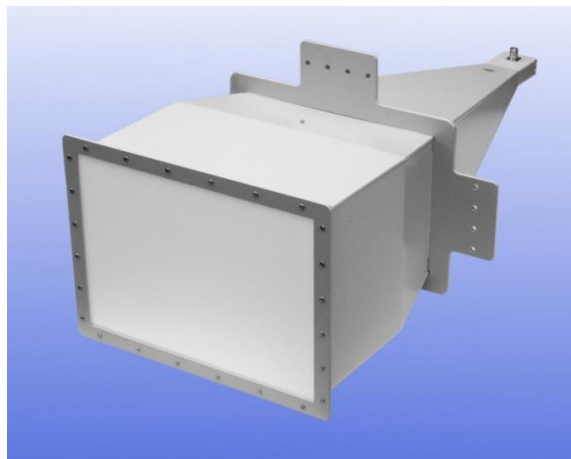


## 2.6 - 4.0 GHz Linearly Polarised 21 dBi Lensed Horn Antenna fitted with an SC type Connector and Radome

Catalogue number **QSH-SL-2.6-4-C-21-R**

Q-par reference **QMS-00116**

Contents **Summary**  
**Typical Gain / Antenna Factor**  
**Typical Beamwidth**  
**VSWR**

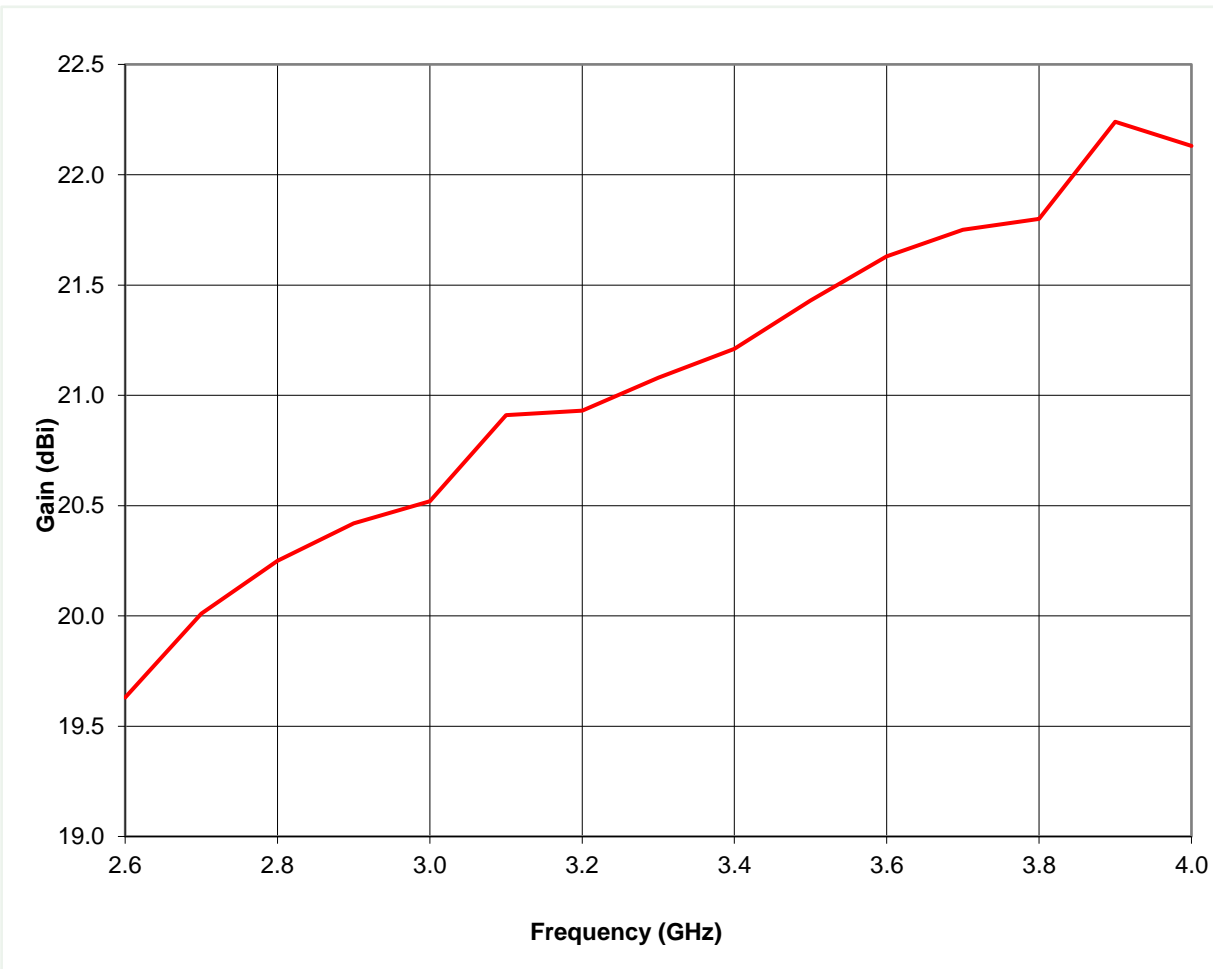


## Typical Specification

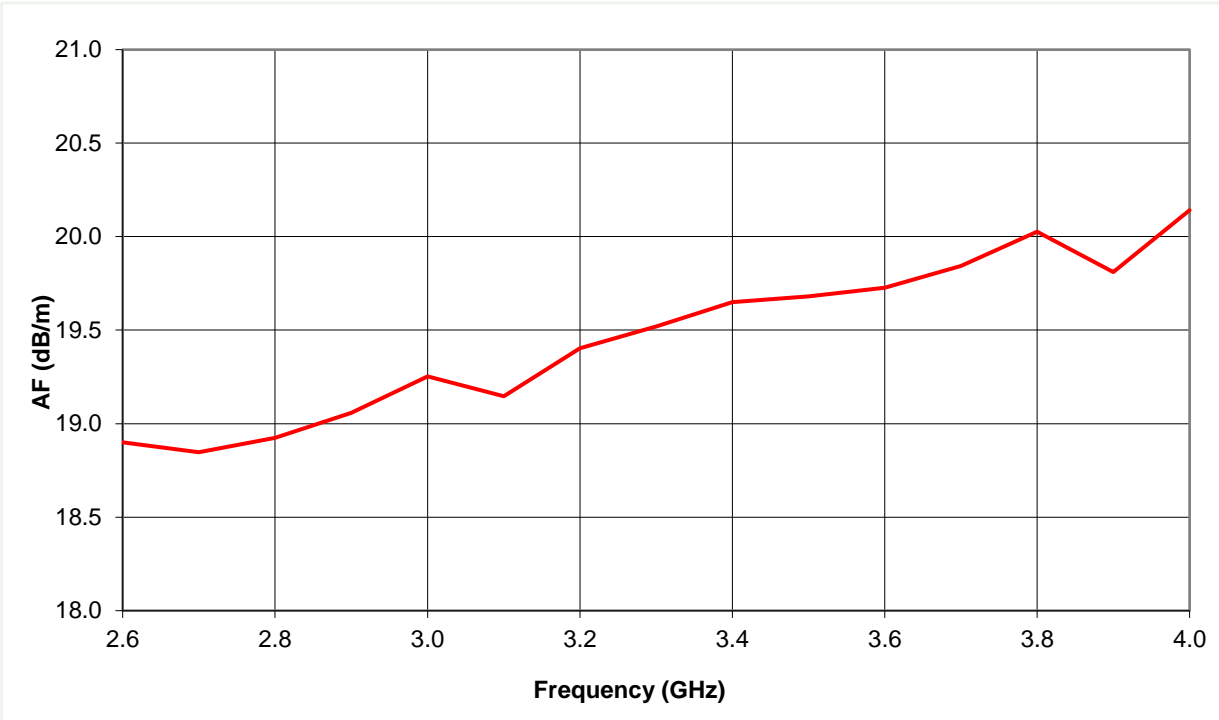
<b>Frequency</b>	2.6 to 4 GHz
<b>Connector Type</b>	SC jack
<b>Power Handling</b>	750 W c.w. 10 kW peak.
<b>VSWR</b>	< 1.5 : 1
<b>Gain</b>	19.6 to 22.2 dBi
<b>Antenna Factor</b>	18.8 to 20.1 dB/m
<b>3dB Beamwidth</b>	9 to 20 degrees
<b>Weight</b>	12 kg
<b>Maximum Size</b>	497 x 377 mm aperture x 1140 mm long
<b>Mounting</b>	Wrap around flange. Mounting brackets fitted on two faces above centre of gravity.
<b>Construction</b>	Stainless steel, aluminium and engineering plastics.

## Typical Antenna Gain at One metre

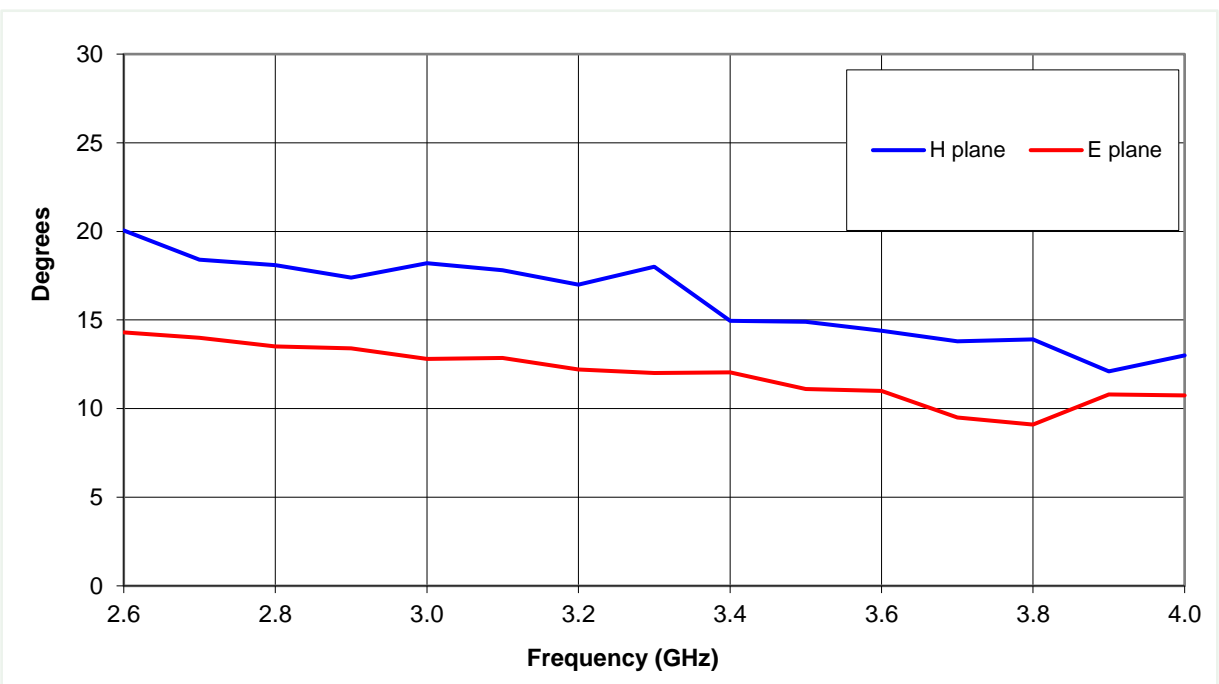
This is calculated by reference to standard gain horn antennas, and cross checked with reference to the antenna beamwidth, with an estimated error of +/- 0.8dB.



## Typical Antenna Factor at One metre



## Typical Beamwidth at One metre



Frequency	Gain at 1 m	Antenna Factor
GHz	dBi	dB/m
2.6	19.6	18.9
3.3	21.1	19.5
4	22.1	20.1

