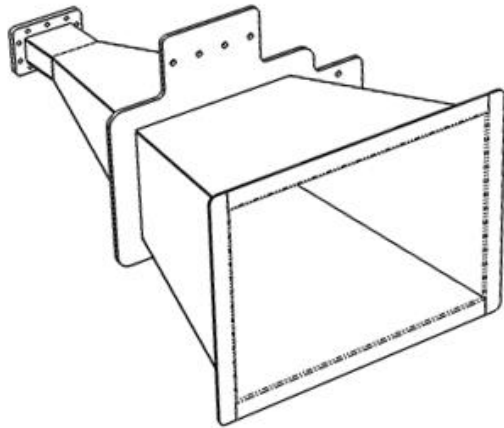




**QMS-00107**

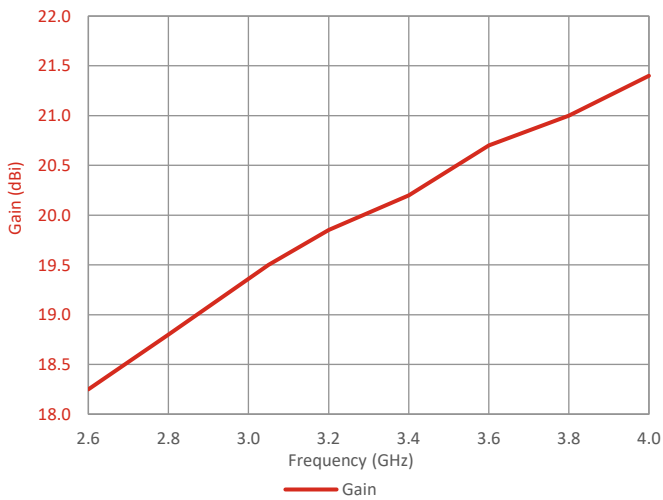


Please contact Steatite Antennas for a full interface control drawing.

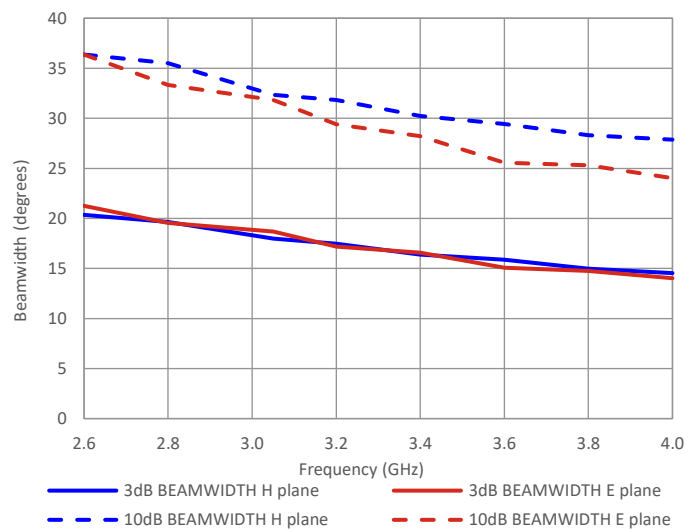
**Typical Specification**

<b>Frequency</b>	2.6 to 4 GHz
<b>Connector</b>	UDR32 waveguide flange
<b>VSWR</b>	Typically < 1.3:1
<b>Gain</b>	18.3 to 21.4 dBi
<b>Antenna Factor</b>	20.3 to 20.9 dB/m
<b>3 dB Beamwidth</b>	14 to 21.3 degrees
<b>10 dB Beamwidth</b>	24 to 36 degrees
<b>Power</b>	1 MW peak, 36 kW mean power
<b>Size &amp; Weight</b>	443x332mm x 760 mm long, 5kg Nominal.
<b>Mounting</b>	Mounting Bracket, refer to ICD
<b>Environmental</b>	Contact Steatite for further information

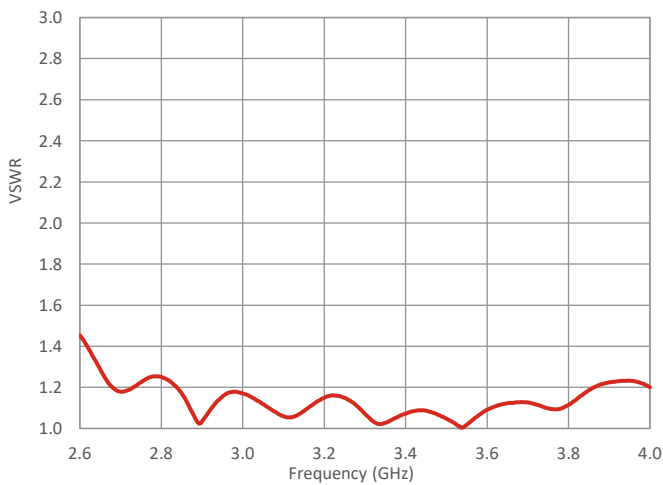
**Typical Gain**



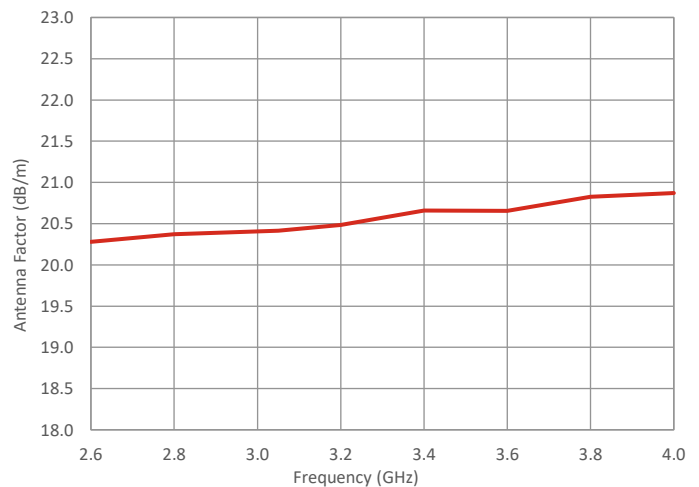
**Typical Beamwidth**



**Typical VSWR**



**Typical Antenna Factor**



Steatite Antennas reserve the right to change and/or update this specification whereby it is deemed that this would improve either the production and/or performance specification of this part. Information herein should not be disclosed to a third party without the prior written consent of Steatite Antennas.

