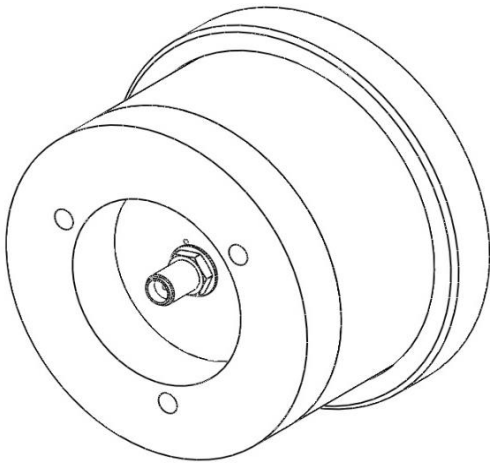


## QMS-00761

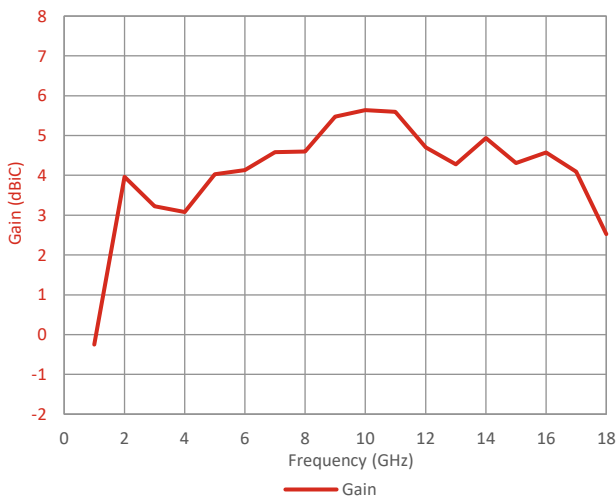


Please contact Steatite Antennas for a full interface control drawing.

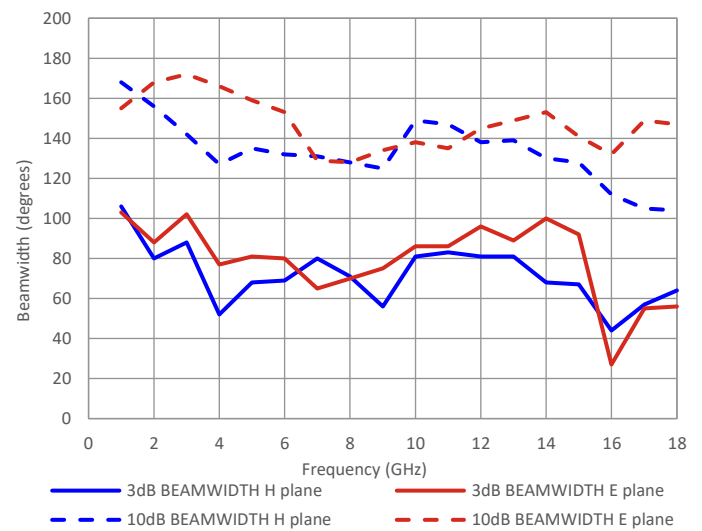
## Typical Specification

<b>Frequency</b>	1 to 18 GHz
<b>Connector</b>	SMA jack
<b>VSWR</b>	Typically <2.5:1 (1.5 to 18 GHz), 3.2:1 maximum
<b>Gain</b>	-0.3 to 5.6 dBic
<b>Axial Ratio</b>	0.3 to 2.4 dB
<b>3 dB Beamwidth</b>	27 to 106 degrees
<b>10 dB Beamwidth</b>	104 to 172 degrees
<b>Power</b>	2 Watt c.w.
<b>Size &amp; Weight</b>	Ø78mm x 48mm length, 170g nominal.
<b>Mounting</b>	3 x M5 x 10mm tapped holes.
<b>Environmental</b>	Vib: MIL-STD-167-1A & DO160F, Fig 8-3, curve M Shock: 15g, 20ms 1/2 sine & DO160F (6g, 11ms TPS) Storage Temp: -40°C to +70°C, 95% RH Altitude: 50,000ft (15,200m)

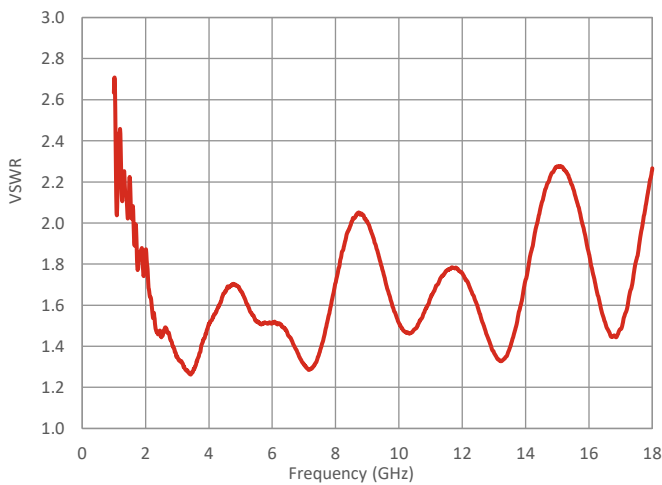
## Typical Gain



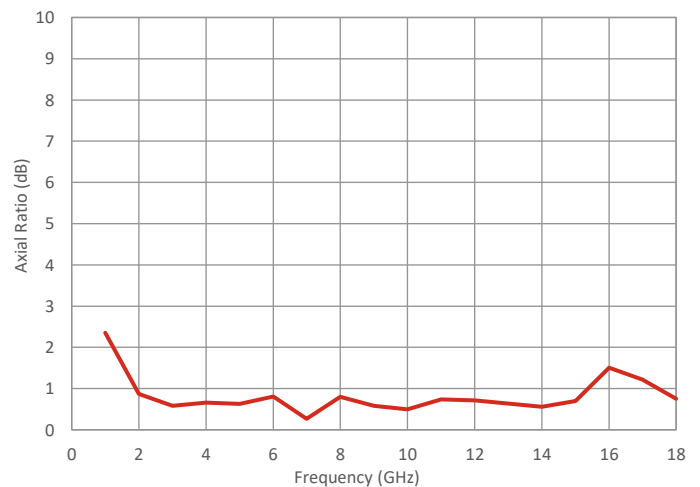
## Typical Beamwidth



## Typical VSWR



## Typical Axial Ratio



Steatite Antennas reserve the right to change and/or update this specification whereby it is deemed that this would improve either the production and/or performance specification of this part. Information herein should not be disclosed to a third party without the prior written consent of Steatite Antennas.

