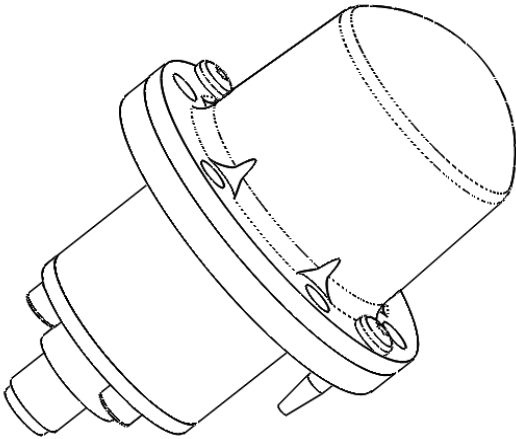


18 - 42 GHz Left Hand Circularly Polarised Spiral Antenna fitted with a K type Connector and Lensed Radome

QMS-00050

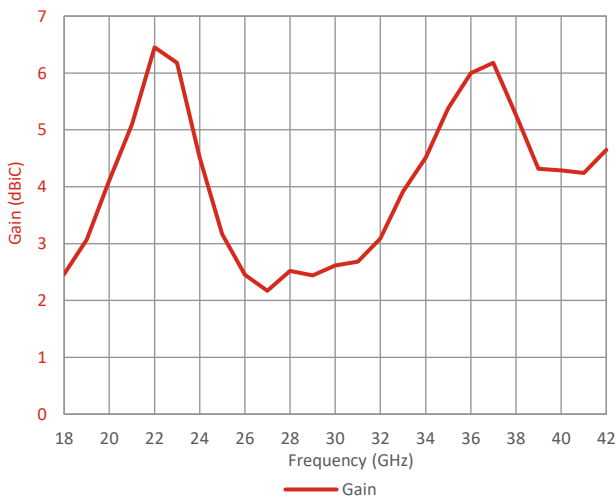


Please contact Steatite Antennas for a full interface control drawing.

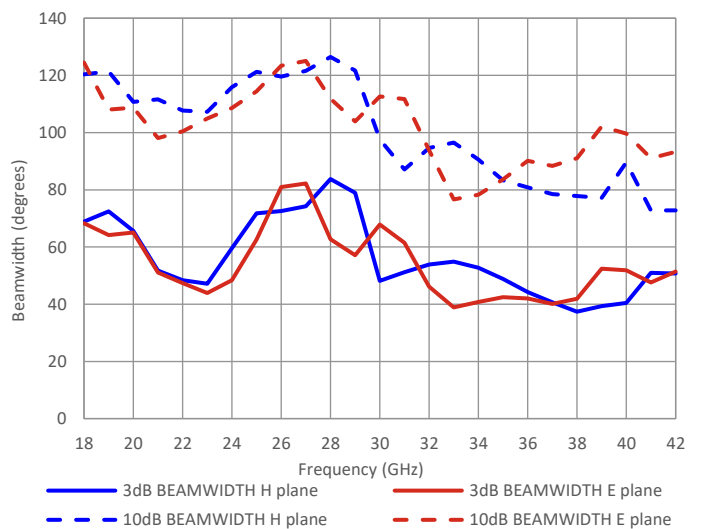
Typical Specification

Frequency	18 to 42 GHz
Connector	K type (2.92mm) jack
VSWR	Typically < 2.5 :1
Gain	2.2 to 6.5 dBi
Axial Ratio	0.4 to 3.2 dB
3 dB Beamwidth	37.4 to 83.8 degrees
10 dB Beamwidth	73 to 126 degrees
Power	2 Watt c.w.
Size & Weight	Ø35.5 mm x 54.2 mm long, 44g nominal
Mounting	6 holes, diameter 3.2 mm, 30 mm p.c.d.
Environmental	Please contact Steatite for more information

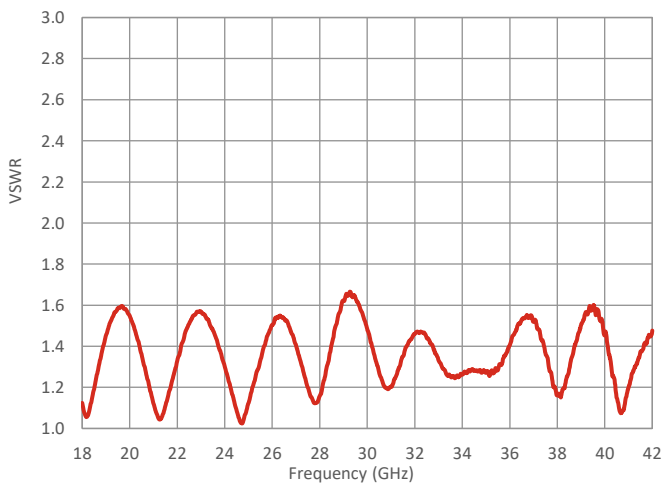
Typical Gain



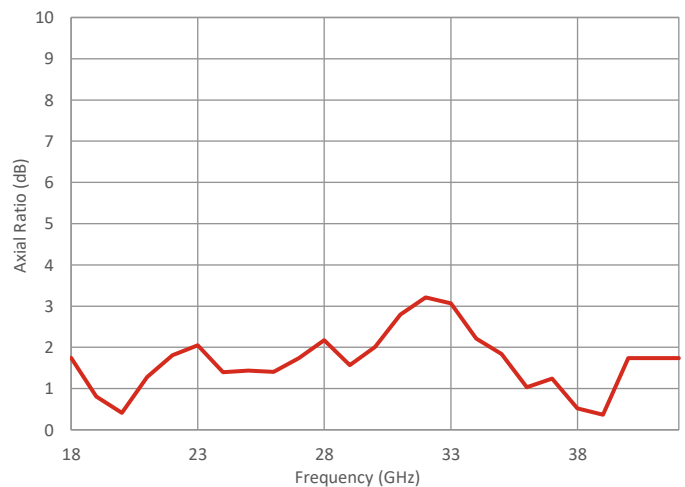
Typical Beamwidth



Typical VSWR



Typical Axial Ratio



Steatite Antennas reserve the right to change and/or update this specification whereby it is deemed that this would improve either the production and/or performance specification of this part. Information herein should not be disclosed to a third party without the prior written consent of Steatite Antennas.

