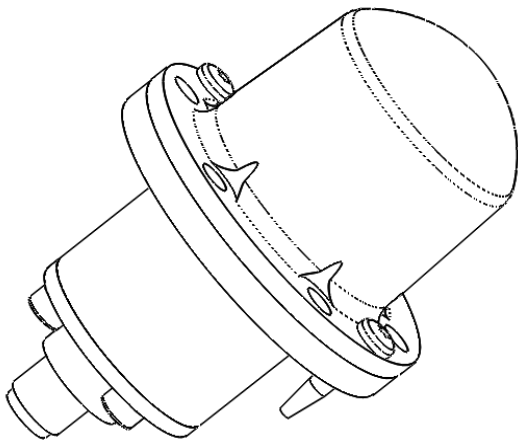


**QMS-00051**

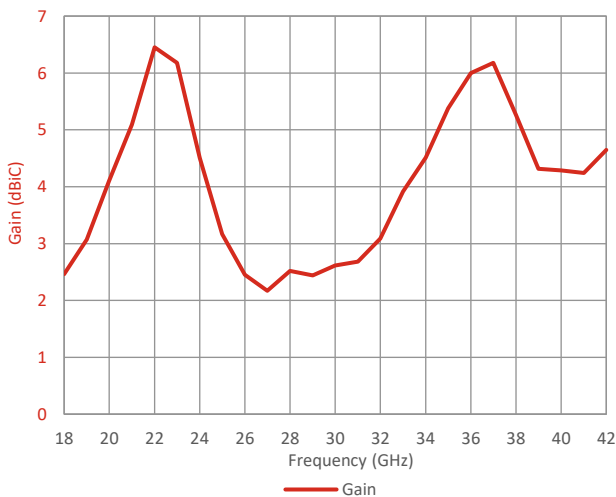


Please contact Steatite Antennas for a full interface control drawing.

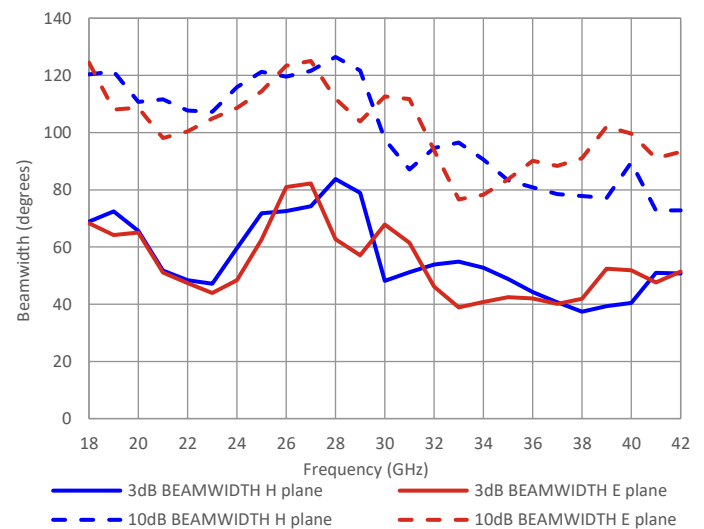
**Typical Specification**

<b>Frequency</b>	18 to 42 GHz
<b>Connector</b>	K type (2.92mm) jack
<b>VSWR</b>	Typically < 2.5 :1
<b>Gain</b>	2.2 to 6.5 dBi
<b>Axial Ratio</b>	0.4 to 3.2 dB
<b>3 dB Beamwidth</b>	37.4 to 83.8 degrees
<b>10 dB Beamwidth</b>	73 to 126 degrees
<b>Power</b>	2 Watt c.w.
<b>Size &amp; Weight</b>	Ø35.5 mm x 54.2 mm long, 44g nominal
<b>Mounting</b>	6 holes, diameter 3.2 mm, 30 mm p.c.d.
<b>Environmental</b>	Please contact Steatite for more information

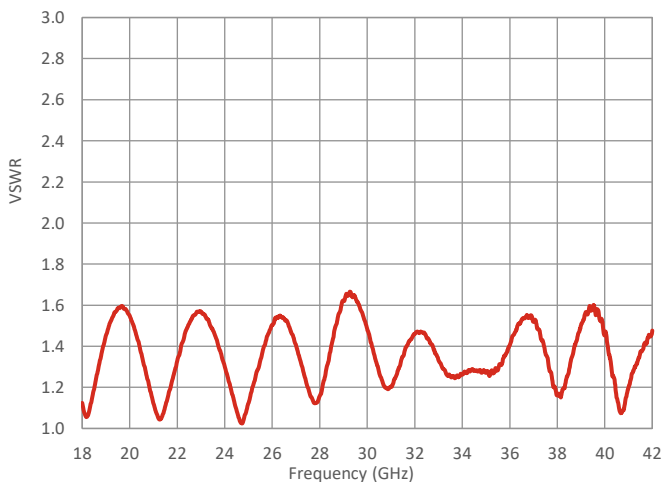
**Typical Gain**



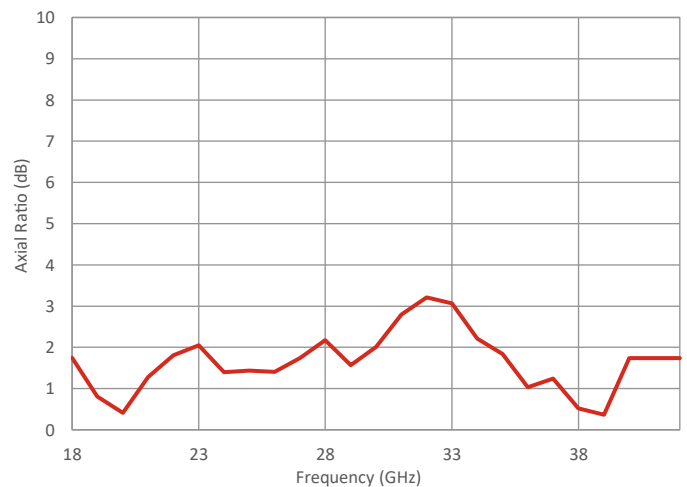
**Typical Beamwidth**



**Typical VSWR**



**Typical Axial Ratio**



Steatite Antennas reserve the right to change and/or update this specification whereby it is deemed that this would improve either the production and/or performance specification of this part. Information herein should not be disclosed to a third party without the prior written consent of Steatite Antennas.

