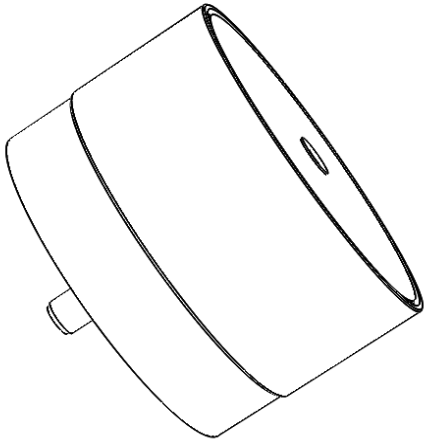


QMS-00991

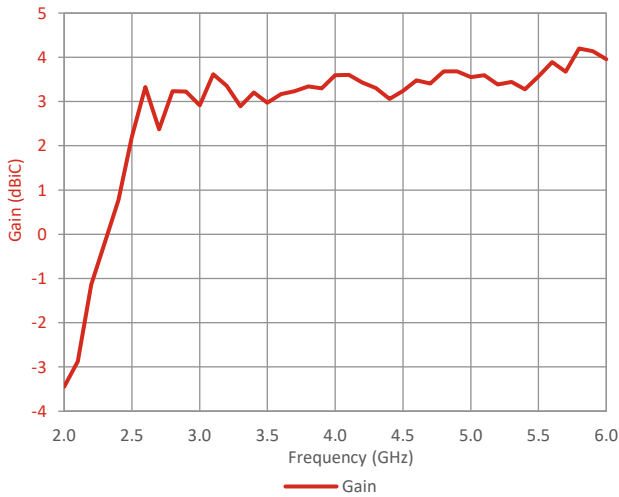


Please contact Steatite Antennas for a full interface control drawing.

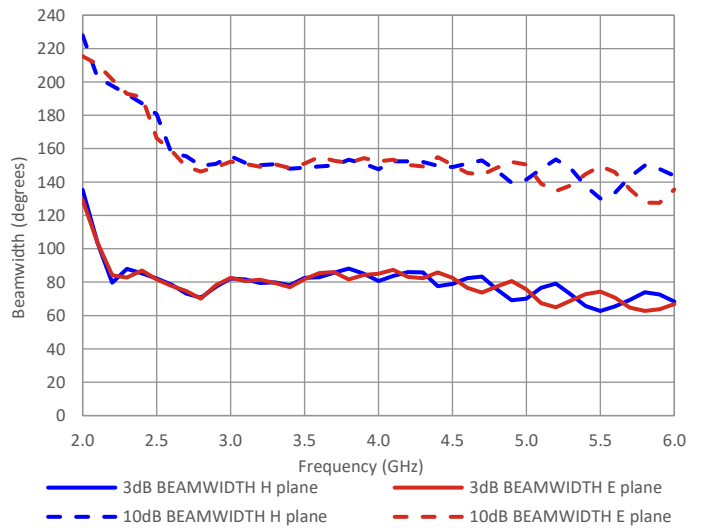
Typical Specification

Frequency	2 to 6 GHz
Connector	SMA Female
VSWR	Typically <2:1
Gain	-3.4 to 4.2 dBi
Axial Ratio	0.3 to 5.1 dB
3 dB Beamwidth	62.7 to 135.3 degrees
10 dB Beamwidth	128 to 228 degrees
Power	2W CW
Size & Weight	Ø60mm x 49.5mm long, 154g nominal
Mounting	3 x M3 holes (rear mounted) on a Ø38.1 PCD
Environmental	MIL-STD-810H Storage Temperature (-40°C to +55°C), Humidity (60°C, 98% RH) & Shock (on road) DEF-STAN 00-35 Vibration (0.02 gn ² /Hz from 20 to 50 Hz reducing at 3dB/octave to 500 Hz)

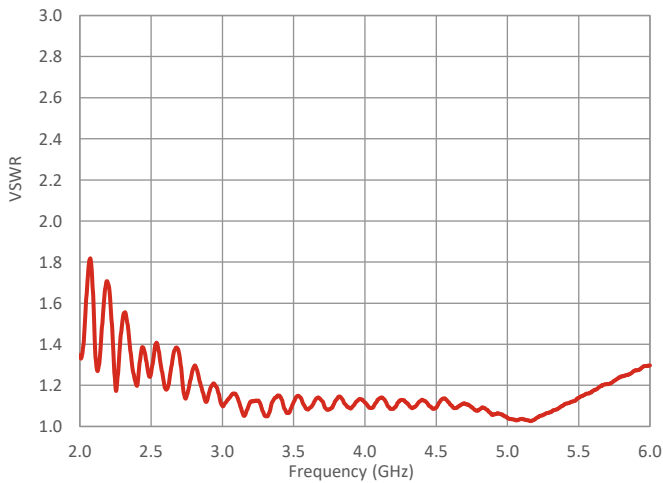
Typical Gain



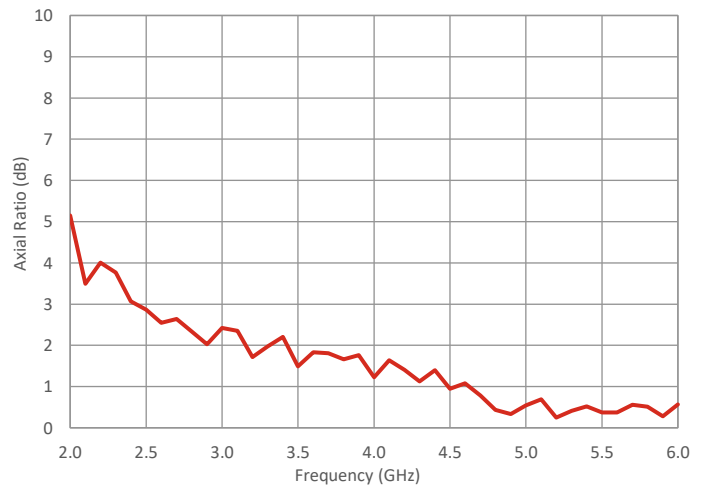
Typical Beamwidth



Typical VSWR



Typical Axial Ratio



Steatite Antennas reserve the right to change and/or update this specification whereby it is deemed that this would improve either the production and/or performance specification of this part. Information herein should not be disclosed to a third party without the prior written consent of Steatite Antennas.

